



DC TACHOGENERATOR

E-K10A2

INTRODUCTIONS :

EXCELLA have been continuously manufacturing tachogenerator over 50 years. Tachogenerator is an electric generator that provides a voltage proportional to the speed; those are adapted to every industry. Tachogenerators are frequently used to measure engine & motor speed.

FEATURES :

- Robust Design.
- Precise Output & High Performance.



TECHNICAL DETAILS:

| | |
|------------------------|------------------------|
| Voltage Per 1000 r/min | 80V± 5% |
| I max | 180 mA @ 400V |
| Max O/p Voltage | 400VDC |
| Armature Resistance | 95 Ω± 10% |
| Max Speed Range | 5000 RPM |
| Max Load Impedance | 2200 Ω |
| Max ripple Voltage | ≤±0.5% |
| Voltage Regulation | ≤ ±5% |
| Linearity | ≤ ± 0.2% |
| Class of Insulation | F |
| Carbon Brush | 2 Nos Per Arm |
| Brush Grade | Carbon Graphite |
| Protection | IP 44 Totally Enclosed |
| Connections | Cable |
| Ambient Temperature | 60 Deg.C |
| Weight (Flange Type) | 3 Kg |



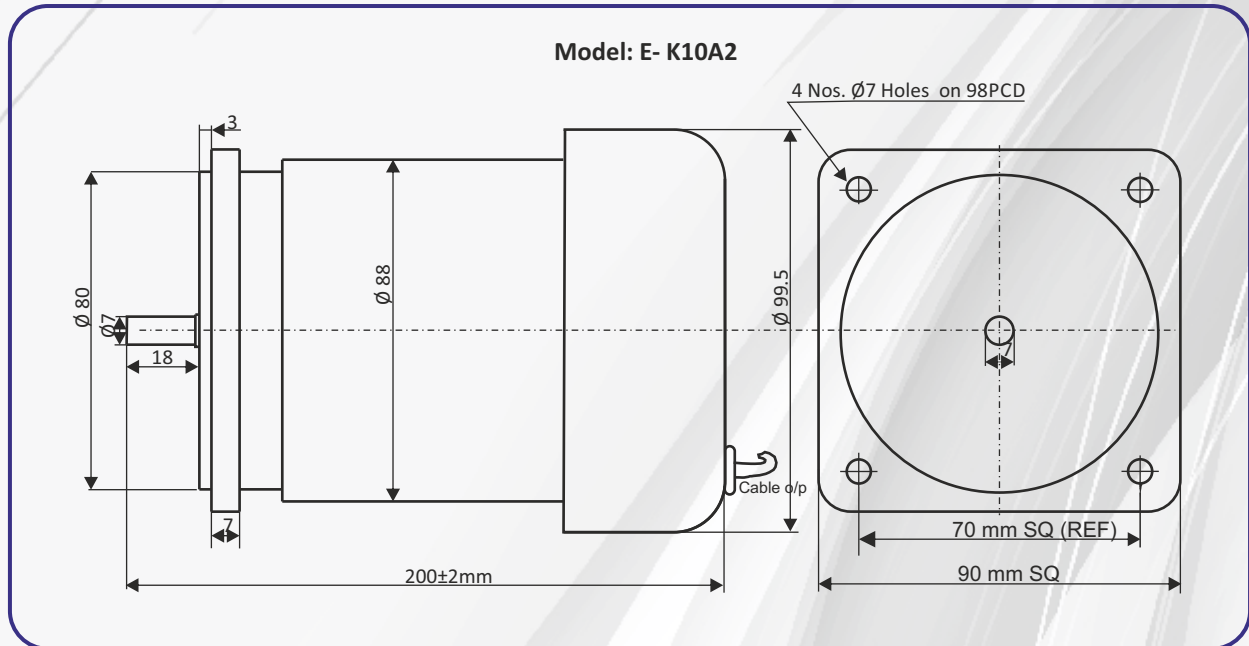
54, Annapurna Industrial Estate, Tilak Road,
Ghatkopar (E), Mumbai - 400 077 India
Tel: +91-22-21029911
E-mail: sales@excellaelectronics.com



DC TACHOGENERATOR

E-K10A2

MECHANICAL DIMENSIONS:



NOTE : UNTOLERATED DIMNS. SHOWN ARE APPROXIMATE ONLY,
ALL DIMENSIONS ARE IN MM.