



DC TACHOGENERATOR

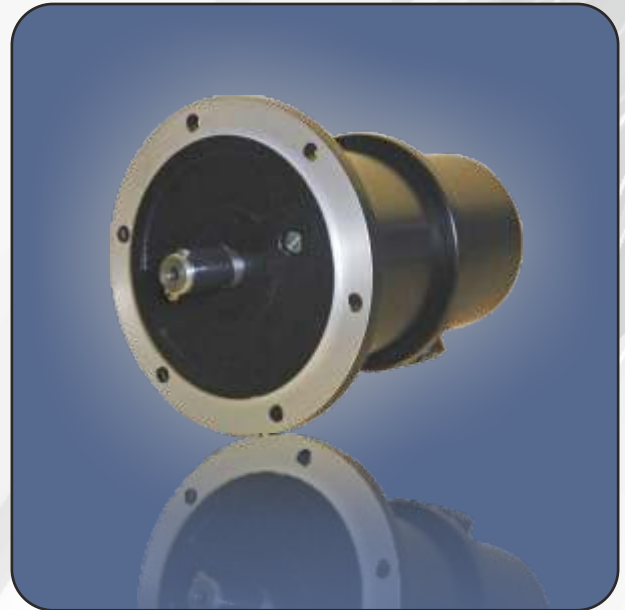
E-4001

INTRODUCTIONS :

EXCELLA have been continuously manufacturing tachogenerator over 50 years. Tachogenerator is an electric generator that provides a voltage proportional to the speed; those are adapted to every industry.

FEATURES :

- Robust Design.
- Precise Output & High Performance.
- Economical model for universal application.



TECHNICAL DETAILS:

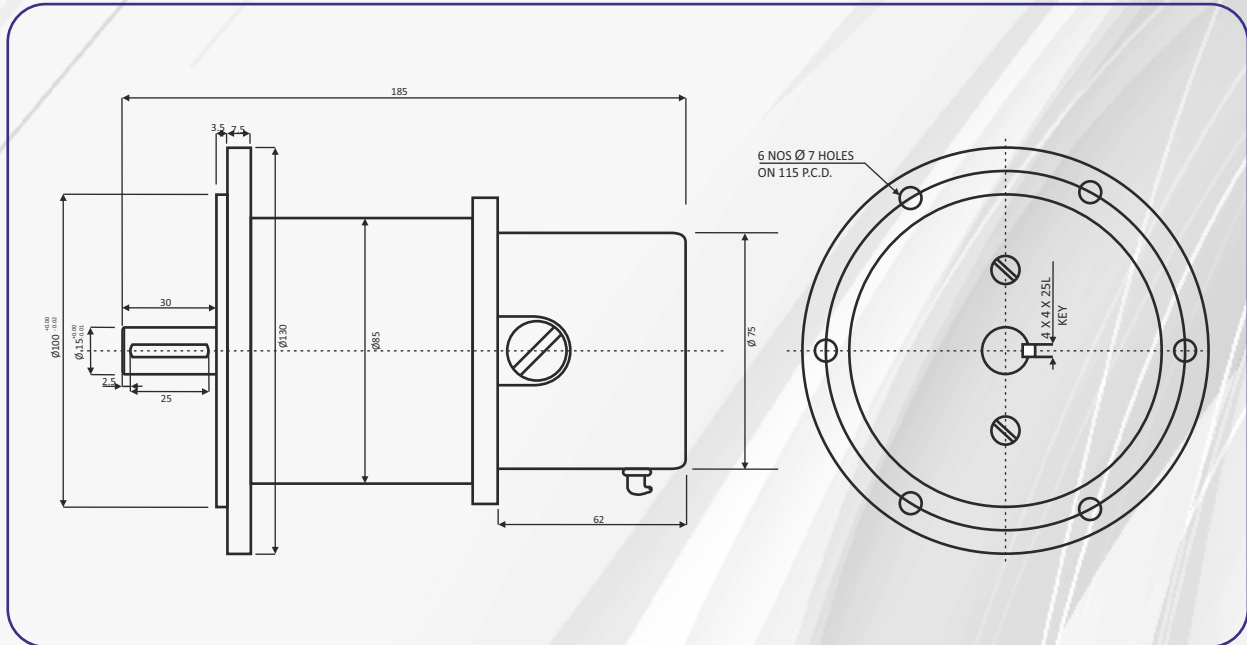
Voltage Per 1000 r/min	50 V \pm 5 %
I max	70 mA
Max Speed Range	4000 RPM
Armature Resistance	85 Ω \pm 10%
Max Load Impedance	2800 Ω
Max ripple Voltage	\leq \pm 1%
Voltage Regulation	\leq \pm 5%
Linearity	\leq \pm 1%
Class of Insulation	F
Carbon Brush	2 Nos. Per Arm
Brush Grade	Carbon graphite (4.5*4.5*15mm)
Protection	IP 24 Totally Enclosed/IP55
Connections	Cable
Ambient Temperature	60 Deg.C
Weight (Flange)	2.4Kg(Approx)
Weight (Foot)	2.6 Kg (Approx)



DC TACHOGENERATOR

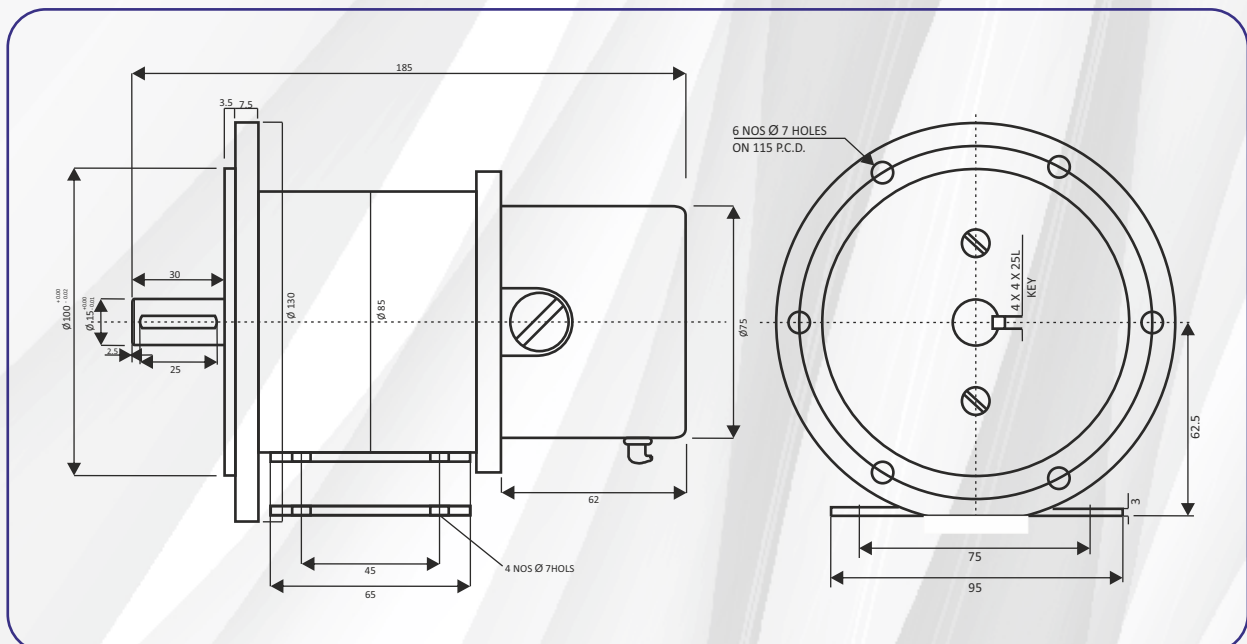
E-4001

MECHANICAL DIMENSIONS (Flange Mounting):



NOTE : UNTOLERATED DIMNS. SHOWN ARE APPROXIMATE ONLY,
ALL DIMENSIONS ARE IN MM.

MECHANICAL DIMENSIONS (Foot Mounting):



NOTE : UNTOLERATED DIMNS. SHOWN ARE APPROXIMATE ONLY,
ALL DIMENSIONS ARE IN MM.