



DC TACHOGENERATOR

E-2510

INTRODUCTIONS :

EXCELLA have been continuously manufacturing tachogenerator over 50 years. Tachogenerator is an electric generator that provides a voltage proportional to the speed, Tachogenerator use has numerous advantages, those are adapted to every industry. Tachogenerators can also be used as feedback sources for motor voltage control. This tachogenerator specially use in controlling paper mill / steel mill drives Industries.

FEATURES :

- Robust Design
- Precise Output & High Performance



TECHNICAL DETAILS:

Voltage Per 1000 r/min	100 V \pm 5%
I max	100 mA
Max O/p Voltage	400VDC
Armature Resistance	110 Ω \pm 10%
Max Speed Range	4000 RPM
Max Load Impedance	4000 Ω
Max ripple Voltage	$\leq \pm$ 0.5%
Voltage Regulation	$\leq \pm$ 5%
Linearity	$\leq \pm$ 0.5%
Class of Insulation	F
Carbon Brush	2 Nos Per Arm
Brush Grade	Carbon Graphite (4.5*4.5*15mm)
Protection	IP 24 Totally Enclosed/IP55
Connections	Cable
Ambient Temperature	60 Deg.C
Weight (Flange Type)	3.4 Kg (Approx)



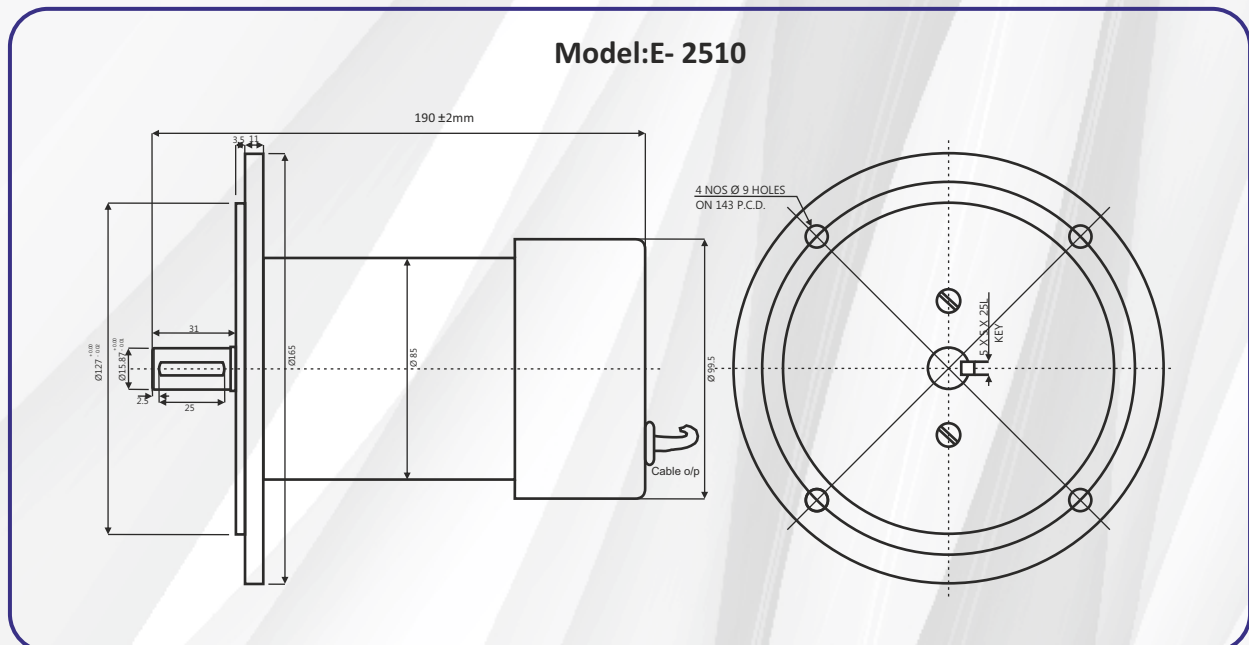
DC TACHOGENERATOR

E-2510-SP

TECHNICAL DETAILS:

Voltage Per 1000 r/min	200 V \pm 5%
I max	100 mA
Max O/p Voltage	400VDC
Armature Resistance	135 Ω \pm 10%
Max Speed Range	4000 RPM
Max Load Impedance	4000 Ω
Max ripple Voltage	$\leq \pm 0.5\%$
Voltage Regulation	$\leq \pm 2.5\%$
Linearity	$\leq \pm 0.5\%$
Class of Insulation	F
Carbon Brush	2 Nos Per Arm
Brush Grade	Carbon Graphite (4.5*4.5*15)
Protection	IP 44 Totally Enclosed
Connections	Cable
Ambient Temperature	60 Deg.C
Weight (Flange Type)	7 Kgcm

MECHANICAL DIMENSIONS (Flange Mounting):



NOTE : 67MM LENGTH INCREASE FOR 200VDC @1000 RPM
UNTOLERATED DIMNS. SHOWN ARE APPROXIMATE ONLY,
ALL DIMENSIONS ARE IN MM.