



54, Annapurna Industrial Estate, Tilak Road,
Ghatkopar (E), Mumbai - 400 077 India
Tel: +91-22-21029911
E-mail: sales@excellaelectronics.com



SENSOR

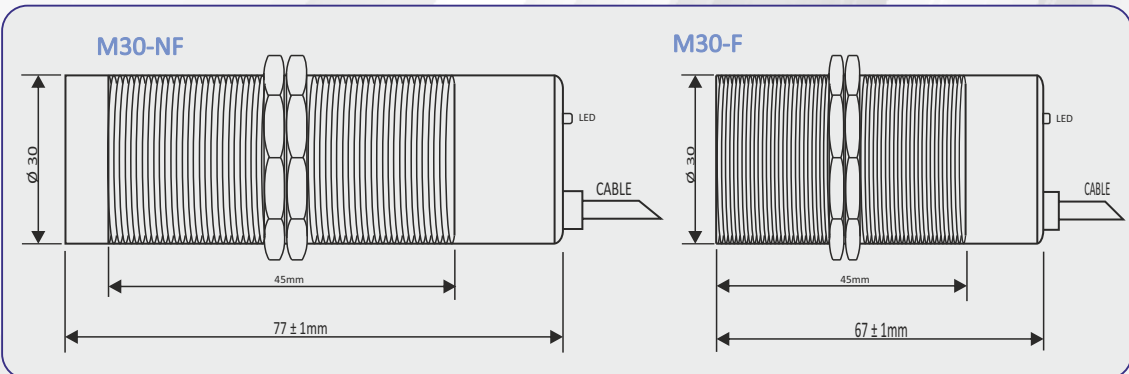
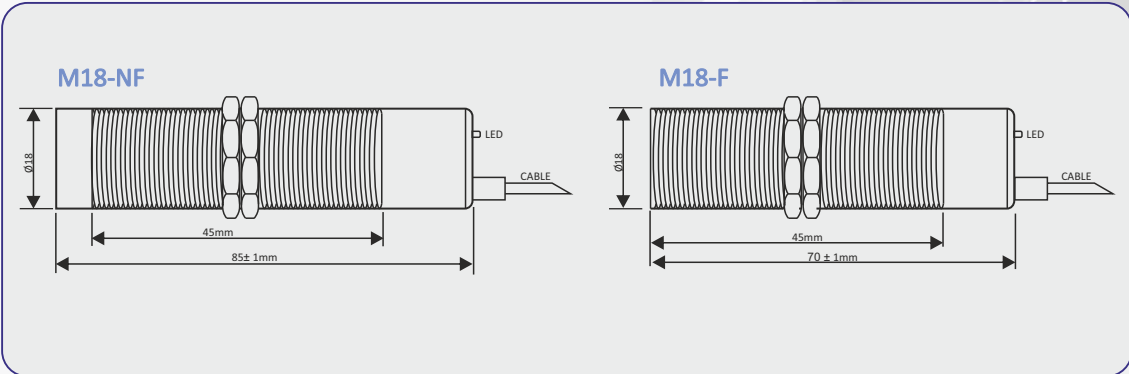
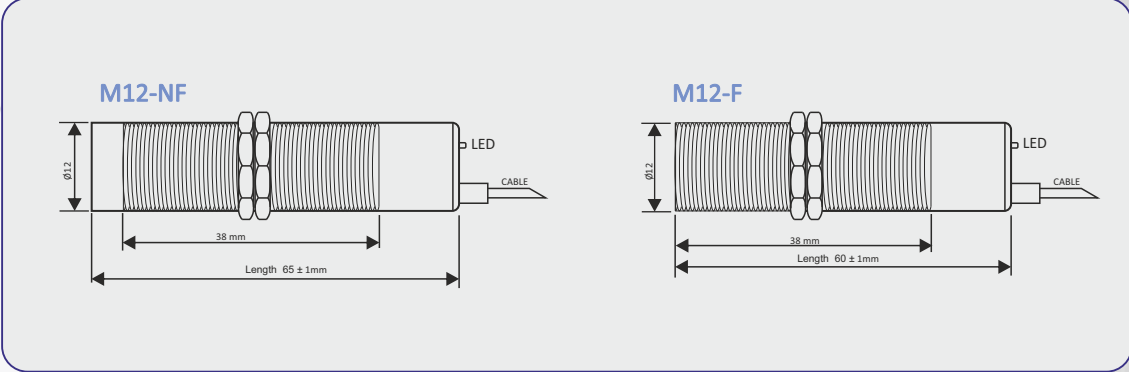
AC INDUCTIVE SENSOR

Type	AC 2 Wire Proximity Sensor.		
Dimension	M12	M18	M30
	Connector /Direct Cable	Connector /Direct Cable	Connector /Direct Cable
	Flush / Non Flush	Flush / Non Flush	Flush / Non Flush
Sensing Distance (mm)	2 / 4	5/ 8	10/15
Hystersis	+/- 10% of Detecting Distance		
Logic	NO or NC		
Operating Voltage	90 - 300 VAC		
I Max	500 mA		
Response Frequency	25Hz		
Current Consumption	15mA		
Leakage Current	0.7mA		
Voltage Drop	< 10 V		
Cable Length Connections	PVC Cable: 2 Core, 3mtrs (Brown :+Ve, Blue :-Ve)		
Indicators	Operation Indicators (RED or GREEN LED)		
Ambient Temperature	-10 to +70 Deg. C		
Storage Temperature	-20 to +80 Deg. C		
Environmental Protection	IP 54 / IP 65 / IP 67 (Normally IP 54)		
Weight	Approx:80g	Approx:110g	Approx:205g
Materails	Case & Two fixing Nuts : Stainless Steel or Nickel Plated Brass		



SENSOR

SENSOR DIMENSIONS



WIRING DIAGRAM:

