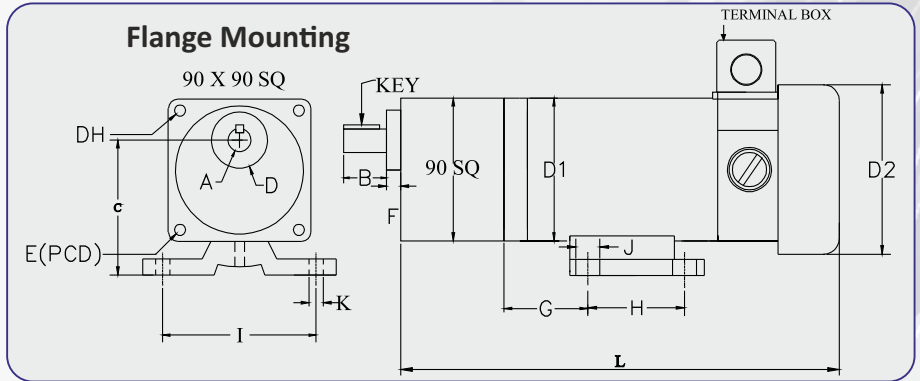




54, Annapurna Industrial Estate, Tilak Road,
Ghatkopar (E), Mumbai - 400 077 India
Tel: +91-22-21029911
E-mail: sales@excellaelectronics.com

PMDC INLINE GEARED MOTOR D90 SERIES

Mechanical Dimension



MECHANICAL DIMENSIONS FOR INLINE FLANGE GEARED MOTORS.

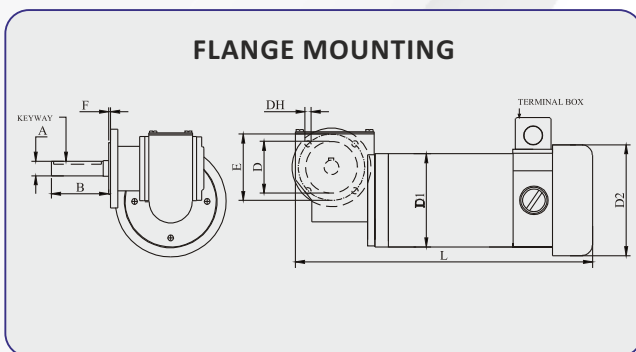
D1	A	B	C	D	E	F	DH	G	H	I	J	K	D2	L	KEY
90	15	28	84	36	10	104	8	53	61	95	15	9	106	277	25X5X5

TECHNICAL SPECIFICATION

POWER IN WATTS/HP	SPEED IN RPM	VOLTAGE IN VDC			CURR. IN AMPS			RATIO				O/P SPEED IN RPM				TORQUE IN KG-CM				INSL. CLASS	DUTY CYCLE	PROTECTION	ENCL.	L mm	WEIGHT (KG)
		V1	V2	V3	A1	A2	A3	R1	R2	R3	S1	S2	S3	T1	T2	T3	T4								
100/0.13	1500	180	24	12	0.7	5.2	10.4	5	10	30	300	150	50	14	28	72	B	S1	IP 44	TEFC	277	6.0			
120/0.16	1500	180	24	12	0.7	5.2	10.4	5	10	30	300	150	50	15	32	72	B	S1	IP 44	TEFC					
150/0.20	1500	180	24	12	0.8	6.2	12.5	5	10	30	300	150	50	20	40	90	B	S1	IP 44	TEFC					
180/0.20	1500	180	24	12	0.8	6.2	12.5	5	10	30	300	150	50	25	50	100	B	S1	IP 44	TEFC					

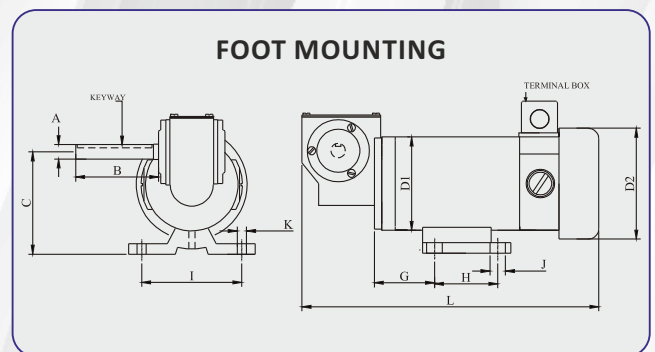
PMDC WORM GEARED MOTOR D90 SERIES

Mechanical Dimension



MECHANICAL DIMENSIONS FOR WORM FLANGE TEFC MOTORS.

A	B	D	E	F	D1	D2	DH	L
14	55	50	64	2	90	106	8	265



MECHANICAL DIMENSIONS FOR WORM FOOT TEFC MOTORS.

A	B	C	G	H	I	J	K	L	D1	D2
14	80	99	58	61	95	15	9	265	90	106

TECHNICAL SPECIFICATION

POWER IN WATTS/HP	SPEED IN RPM	VOLTAGE IN VDC			CURR. IN AMPS			RATIO				O/P SPEED IN RPM				TORQUE IN KG-CM				INSL. CLASS	DUTY CYCLE	PROTECTION	ENCL.	WEIGHT (KG)
		V1	V2	V3	A1	A2	A3	R1	R2	R3	R4	S1	S2	S3	S4	T1	T2	T3	T4					
100/0.13	1500	180	24	12	0.7	5.2	10.4	48	24	16	10	30	60	100	150	100	60	35	28	B	S1	IP 44	TEFC	6.0
120/0.16	1500	180	24	12	0.8	6.2	12.5	48	24	16	10	30	60	100	150	120	72	40	32	B	S1	IP 44	TEFC	
150/0.20	1500	180	24	12	1.0	7.8	15.5	48	24	16	10	30	60	100	150	150	90	52	40	B	S1	IP 44	TEFC	
180/0.20	1500	180	24	12	1.2	9.4	18.8	48	24	16	10	30	60	100	150	180	120	70	52	B	S1	IP 44	TEFC	

NOTE: THE ABOVE MOTOR CAN BE GIVEN IN FOOT OR FLANGE MOUNTING INCASE FOOT CUM FLANGE IS REQUIRED CHARGES EXTRA WILL BE CHARGED.