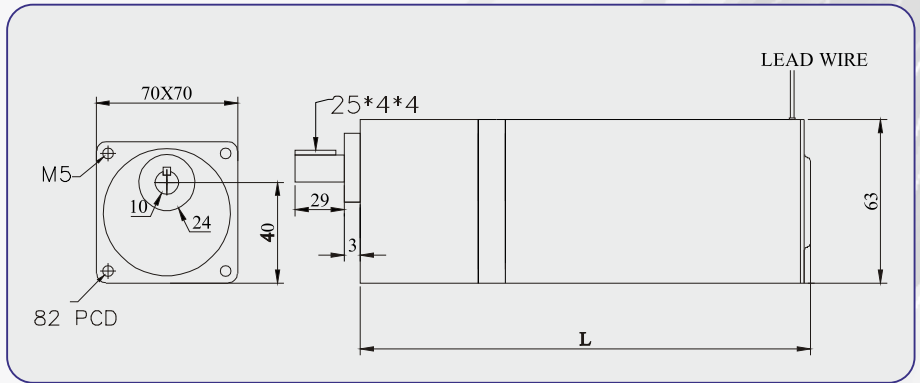




54, Annapurna Industrial Estate, Tilak Road,
Ghatkopar (E), Mumbai - 400 077 India
Tel: +91-22-21029911
E-mail: sales@excellaelectronics.com

PMDC INLINE GEARED MOTOR D63 SERIES

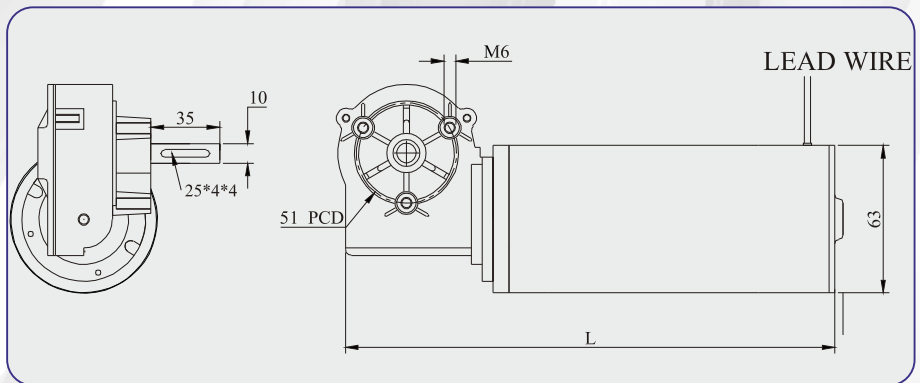
Mechanical Dimension



TECHNICAL SPECIFICATION															INSL. CLASS	DUTY CYCLE	PROTECTION	L mm	WEIGHT (KG)			
POWER IN WATTS/HP	SPEED IN RPM	VOLTAGE IN VDC		CURR. IN AMPS		RATIO				O/P SPEED IN RPM				TORQUE IN KG-CM								
		S1	V1	V2	A1	A2	R1	R2	R3	R4	S1	S2	S3	S4	T1	T2	T3	T4				
25/0.03	1500	12	24	2.6	1.3	5	10	30	180	300	150	50	8	3	5	13	25	B	S1	IP 44	165	1.0
50/0.06	1500	12	24	5.2	2.6	5	10	30	180	300	150	50	8	5	10	25	50	B	S1	IP 44	165	1.4

PMDC WORM GEARED MOTOR D63 SERIES

Mechanical Dimension



TECHNICAL SPECIFICATION															INSL. CLASS	DUTY CYCLE	PROTECTION	L mm	WEIGHT (KG)
POWER IN WATTS/HP	SPEED IN RPM	VOLTAGE IN VDC		CURR. IN AMPS		RATIO			O/P SPEED IN RPM			TORQUE IN KG-CM							
		S1	V1	V2	A1	A2	R1	R2	R3	S1	S2	S3	T1	T2	T3				
20/0.03	2000	12	24	2.1	1.0	55	27.5	18	35	70	110	19	10	8	B	S1	IP 44	165	1.0
40/0.05	2000	12	24	4.0	2.0	55	27.5	18	35	70	110	38	19	16	B	S1	IP 44	165	1.4
60/0.08	2000	12	24	6.2	3.1	55	27.5	18	35	70	110	57	30	24	B	S1	IP 44	165	1.8

NOTE: THE ABOVE MOTOR CAN BE GIVEN IN FOOT OR FLANGE MOUNTING INCASE FOOT CUM FLANGE IS REQUIRED CHARGES EXTRA WILL BE CHARGED.