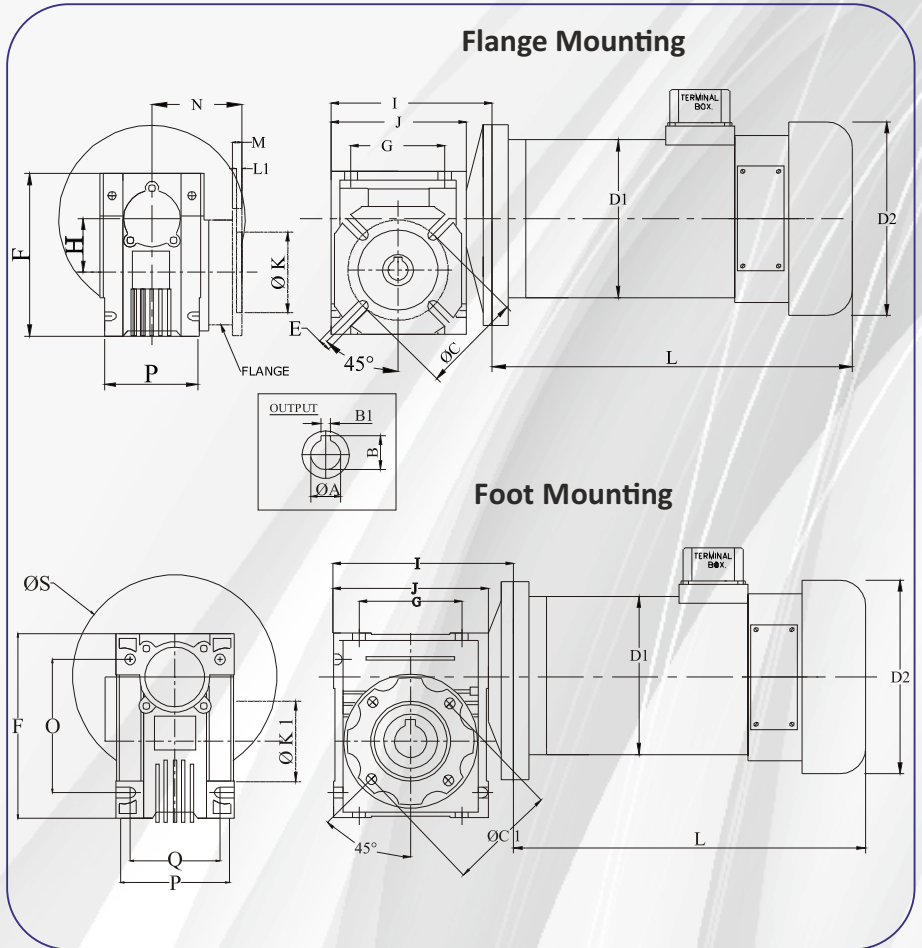




54, Annapurna Industrial Estate, Tilak Road,  
Ghatkopar (E), Mumbai - 400 077 India  
Tel: +91-22-21029911  
E-mail: sales@excellaelectronics.com

## PMDC WORM GEARED MOTOR D127 & 142 SERIES

### Mechanical Dimension



MECHANICAL DIMENSIONS FOR FOOT & FLANGE TEFC MOTORS.

Model	A	B1	B	C	C1	E	F	G	H	I	J	K	K1	L1	M	N	O	P	Q	S
ALM 040	18	6	20.8	75	75	9	121.5	70	40	120	101	60	60	4	7	67	90	71	60	200
ALM 050	25	8	28.3	85	85	11	144	80	50	140	121	70	70	5	9	90	104	85	70	200
ALM 063	25	8	28.3	150	95	11	174	100	63	167	146	150	95	6	10	82	130	103	85	200
ALM 075	28	8	31.3	165	115	14	205	120	75	198.5	174	165	115	6	13	111	153	112	90	200
ALM 090	35	10	38.3	175	130	14	238	140	90	232.5	208	152	110	6	13	111	-	130	-	200

SPECIFICATION																							
POWER IN WATTS/HP	VOLTAGE IN VDC	CURR. IN AMPS	RATIO				OUTPUT SPEED IN RPM				TORQUE IN KG-CM				GEAR MODEL	INSL. CLASS	DUTY CYCLE	PROTECTION	ENCL.	D1	D2	L	WEIGHT (KG)
			R1	R2	R3	R4	S1	S2	S3	S4	T1	T2	T3	T4									
746/1.0	180	5.2	7.5	10	15	20	200	150	100	70	270	350	500	650	050	B	S1	IP 44	TEFC	127	160	319	22.5
1120/1.5	180	7.7	7.5	10	15	20	150	150	100	70	370	480	660	840	063	B	S1	IP 44	TEFC	127	160	368	29.2
1490/2.0	180	10.3	7.5	10	15	20	100	150	100	70	550	710	1020	1330	063	B	S1	IP 44	TEFC	127	160	368	35.2
2240/3.0	180	15.0	7.5	10	15	20	70	150	100	70	800	1070	1550	2020	090	B	S1	IP 44	TEFC	127	160	453	48.0

NOTE: THE ABOVE MOTOR CAN BE GIVEN IN FOOT OR FLANGE MOUNTING INCASE FOOT CUM FLANGE IS REQUIRED CHARGES EXTRA WILL BE CHARGED.