

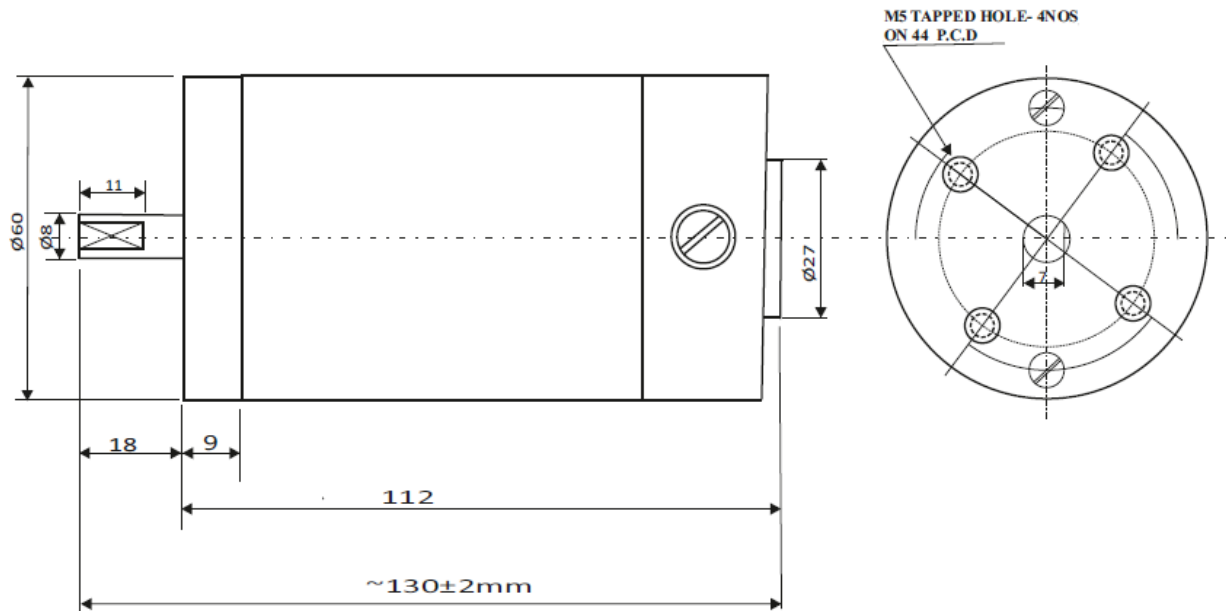
TECHNICAL DETAILS

DC TACHOGENERATOR Model: E-SM60

Voltage Per 1000 r/min	10 V \pm 5 %
I max	50 mA @ 30V
Max O/p Voltage	30VDC
Max Speed Range	3000 RPM
Max Load Impedance	600 Ω
Max ripple Voltage	1 %
Voltage Regulation	5 %
Linearity	< 0.5%
Class of Insulation	F
Carbon Brush	1 Nos Per Arm
Brush Grade	Electro Graphite
Protection	IP 44 Totally Enclosed
Connections	Cable
Ambient Temperature	60 Deg.C
Weight	1.5 Kgcm

DIMENSIONS:

DC Tachogenerator Model:E- SM60



OUTPUT : 3-30V at 1000RPM

I max : 50mA

Max. Speed : 4000 RPM