

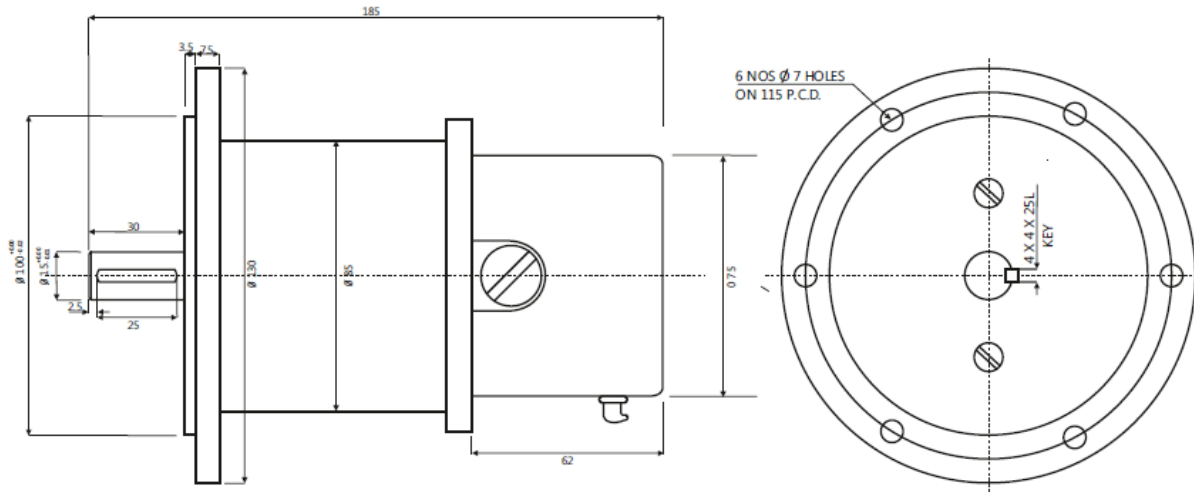
DC TACHOGENERATOR Model: E-4001

TECHNICAL DETAILS:

Voltage Per 1000 r/min	50 V± 5 %
I max	70 mA @ 200V
Max Speed Range	4000 RPM
Armature Resistance at 25Deg	85 Ω
Max Load Impedance	2800 Ω
Max ripple Voltage	< 0.5%
Voltage Regulation	2.5%
Linearity	< 0.5%
Class of Insulation	F
Carbon Brush	2 Nos. Per Arm
Brush Grade	Electro graphite (4.5*4.5*15)
Protection	IP 44 Totally Enclosed
Connections	Cable
Ambient Temperature	60 Deg.C
Weight (Flange)	3Kgcm
Weight (Foot)	3.3Kgcm

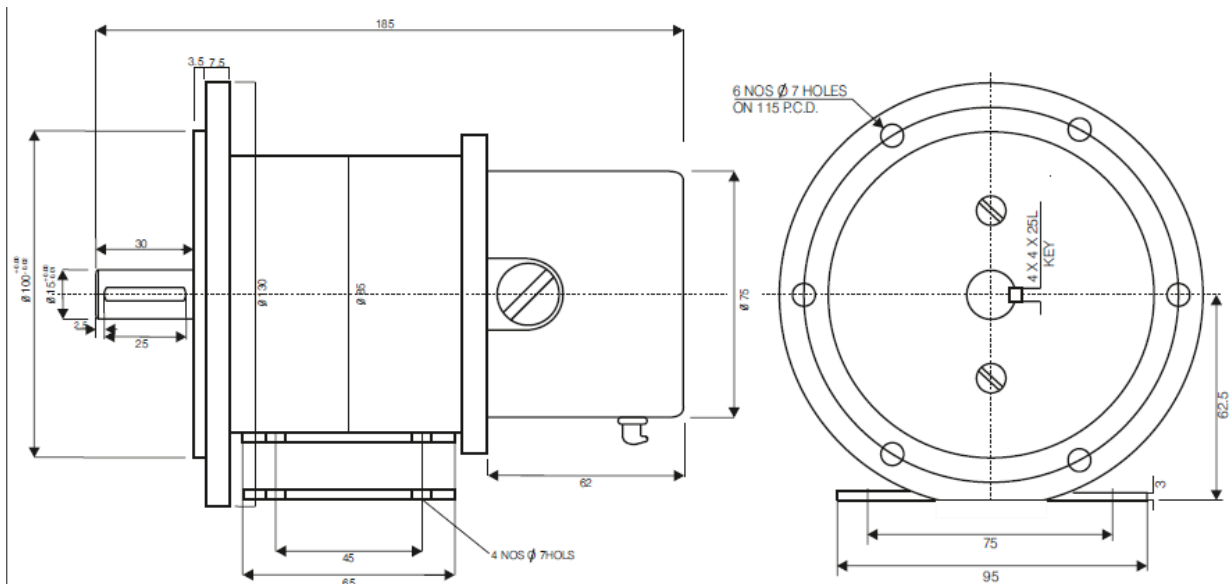
DIMENSIONS:

01. DC Tachogenerator Model:E- 4001 (Flange Mounting)



NOTE : UNTOLERATED DIMNS. SHOWN ARE APPROXIMATE ONLY.
All Dimensions are in mm.

02. DC Tachogenerator Model:E- 4001 (Foot Mounting)



NOTE : UNTOLERATED DIMNS. SHOWN ARE APPROXIMATE ONLY.
All Dimensions are in mm.