

TECHNICAL DETAILS

DC TACHOGENERATOR Model: E- 2510

Voltage Per 1000 r/min	100 V± 5%
I max	100 mA @ 400V
Max O/p Voltage	400VDC
Armature Resistance @25 Deg.C	115 Ω
Max Speed Range	4000 RPM
Max Load Impedance	4000 Ω
Max ripple Voltage	0.5%
Voltage Regulation	2.5%
Linearity	< 0.5%
Class of Insulation	F
Carbon Brush	2 Nos Per Arm
Brush Grade	Electro Graphite (4.5*4.5*15)
Protection	IP 44 Totally Enclosed
Connections	Cable
Ambient Temperature	60 Deg.C
Weight (Flange Type)	6.5 Kgcm

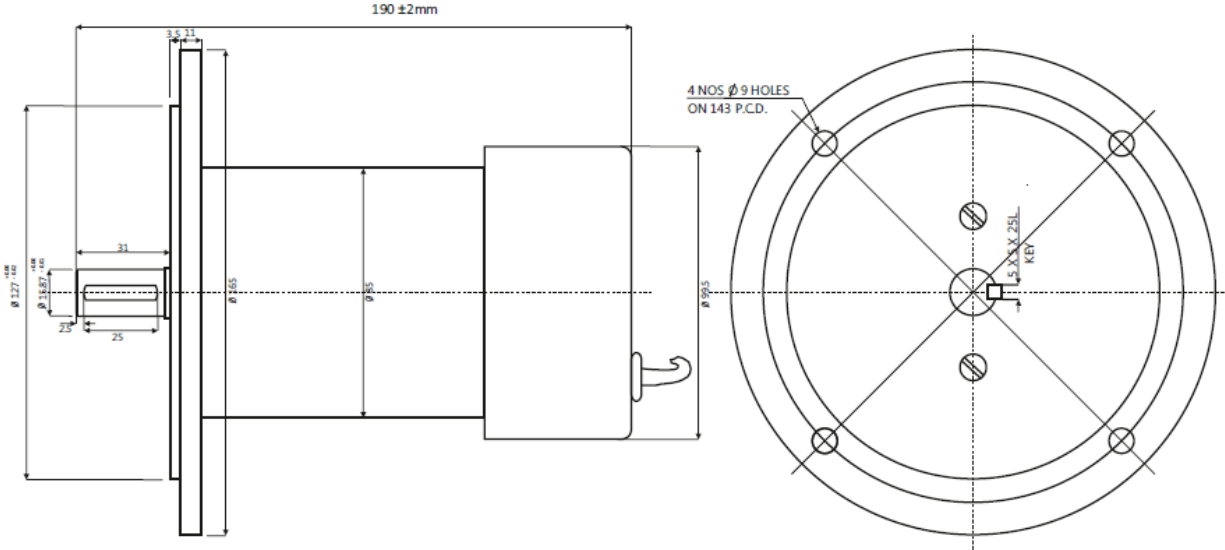
TECHNICAL DETAILS

DC TACHOGENERATOR Model: E- 2510 SP

Voltage Per 1000 r/min	200 V \pm 5%
I max	100 mA @ 400V
Max O/p Voltage	400VDC
Max Speed Range	2000 RPM
Armature Resistance @25 Deg.C	130 Ω
Max Load Impedance	4000 Ω
Max ripple Voltage	0.5%
Voltage Regulation	2.5%
Linearity	< 0.5%
Class of Insulation	F
Carbon Brush	2 Nos Per Arm
Brush Grade	Electro Graphite (4.5*4.5*15)
Protection	IP 44 Totally Enclosed
Connections	Cable
Ambient Temperature	60 Deg.C
Weight (Flange Type)	7 Kgcm

DIMENSIONS:

DC Tachogenerator Model:E- 2510 (Flange Mounting)



Note: 67mm Length increase for 200VDC @1000 RPM.
UNTOLERATED DIMNS. SHOWN ARE APPROXIMATE ONLY.