

B806 Bipolar Stepper Motor Driver

TECHNICAL SPECIFICATIONS:

Supply Voltage	24-60 V DC
Output Current	1.9 - 6.0 A
Step Modes	1/1-, 1/2-1, step
Current Adjustment	via DIP Switches
Clock Frequency	0- 400kHz max.
Pulse Width (Clock)	min. 1.25 ps high/low
Ambient Temperature	9°C-80°C
Connection Type	Brew Type Terminals

FEATURES:

- Thermal protection
- Short circuit and wrong polarity protection
- Optoisolated signal Input
- Low vibration, high speed and high torque
- Potentiometer LEC for adjustable current reduction
- Potentiometer SA for adjustable precision of micro step.

PIN AND SIGNAL DESCRIPTION:

V+	DC Power Supply 24-75 VDC
GND-	DC Power GND
A+,A-,B+,B-	Motor Connections
ENA-	enable signal, - port
ENA+	enable pulse signal, + port
PUL-	stepper pulse signal input, - port
PUL+	stepper pulse signal input, + port
stepper motors	
DIR-	direction signal, - port
DIR+	direction signal, + port

MODE

Mode	SW4	SW6
(1) Itiesmooth and Advance	On	On
(2) Itiesmooth	On	On
(3) Advance	On	On
(4) Criterion	On	On

- (1) suitable for high current
 (2) lower running noise
 (3) higher torque at middle speed
 (4) Suitable for all stepper motors

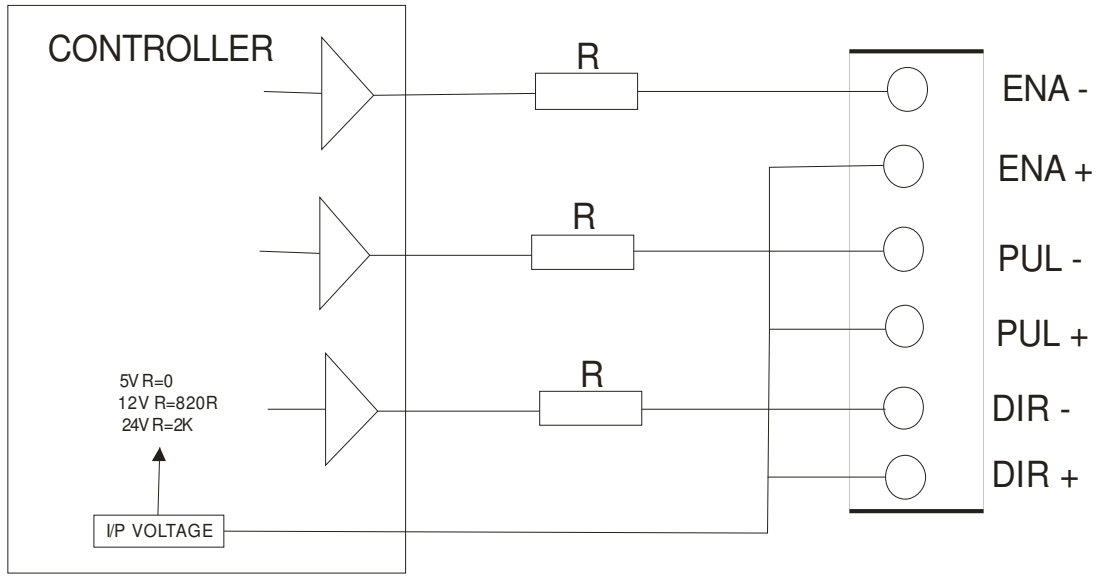
STEP MODE AND CURRENT ADJUSTMENT

Sw2	
ON	Two pulse
OFF	Single pulse

Step Mode	
Sw3	
ON	1/2Step
OFF	1Step

Current Setting			
Sw6	Sw7	Sw8	A
OFF	OFF	OFF	1.9
ON	OFF	OFF	2.4
OFF	ON	OFF	3.0
ON	ON	OFF	3.6
OFF	OFF	ON	4.2
ON	OFF	ON	4.8
OFF	ON	ON	5.7
ON	ON	ON	6.0

INPUT CIRCUIT:



DRAWINGS:

